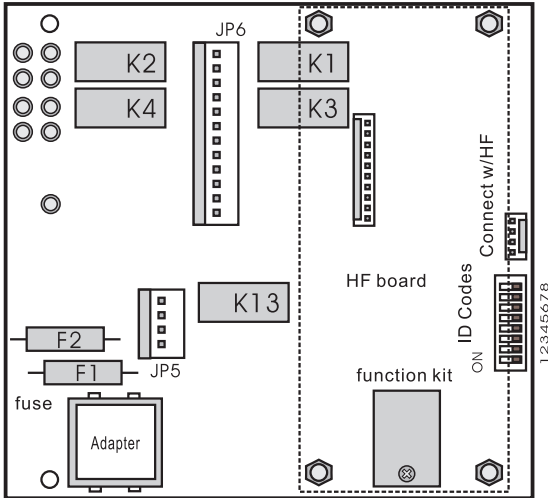




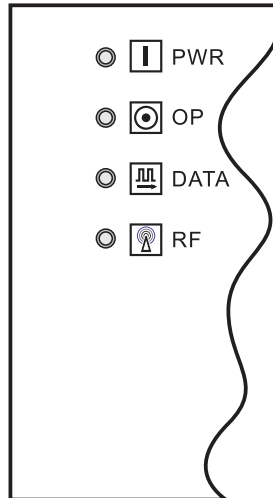
Our duty is ensure your safety, so you can rely on an excellent device

APOLLO C1-4PB installation wiring diagram

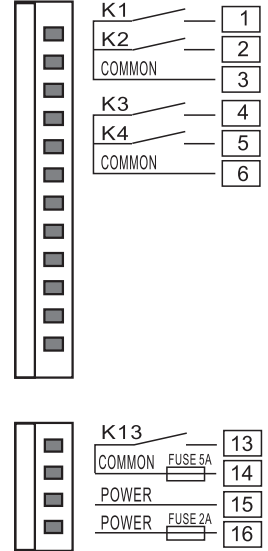
Decoder & Relay Board
(front side)



Indicator

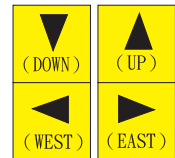
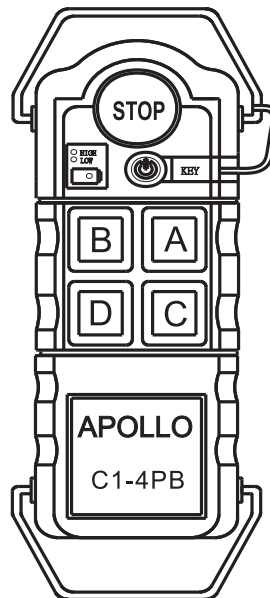
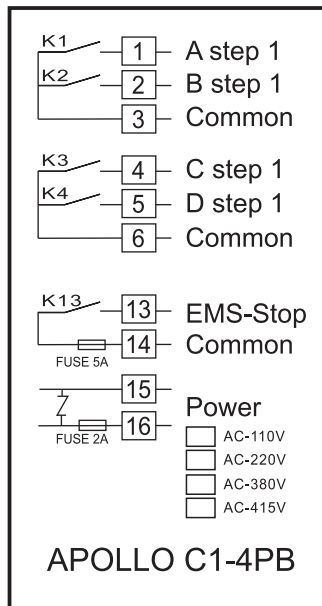


Wires Location in Decoder & Relay Board



- K13 Main (stop)
- K1 1ST step in A
- K2 1ST step in B
- K3 1ST step in C
- K4 1ST step in D
- F1 2A Power Fuse
- F2 5A Main Fuse

- AC-110V
- AC-220V
- AC-380V
- AC-415V



Button-legend
(custom-made on demand)