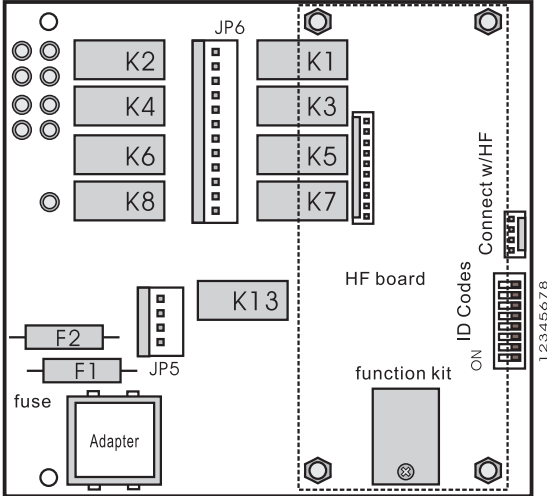




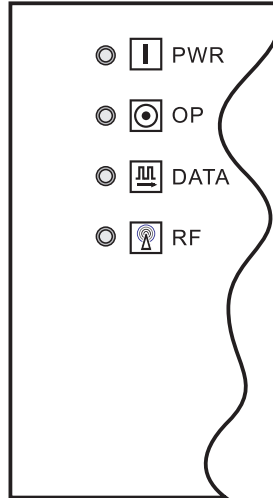
Our duty is ensure your safety, so you can rely on an excellent device

## APOLLO C1-8PB/AB installation wiring diagram

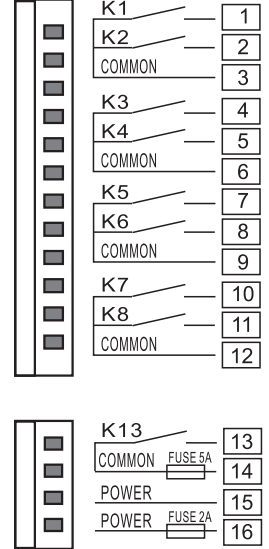
Decoder & Relay Board  
(front side)



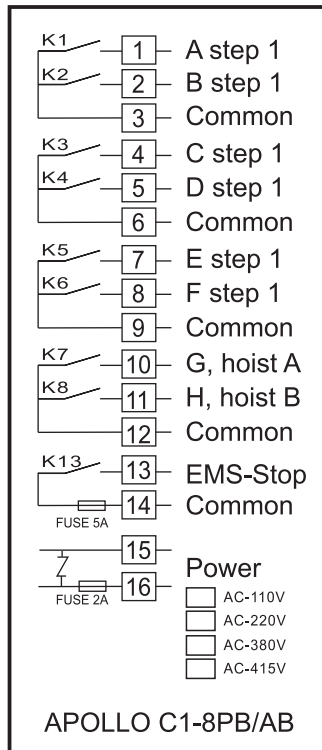
Indicator



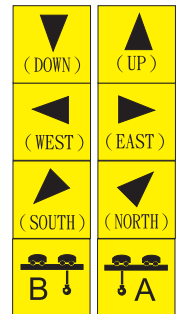
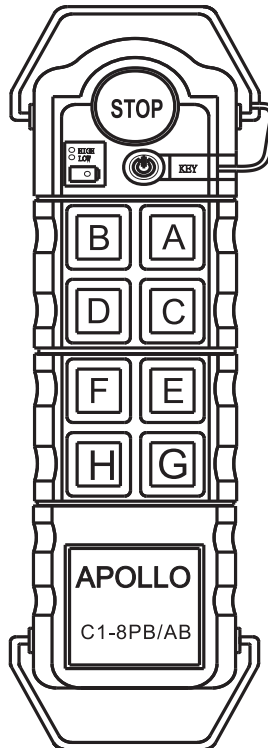
Wires Location in Decoder & Relay Board



- K13 Main ( stop )
- F1 2A Power Fuse
- F2 5A Main Fuse
- K1 1<sup>ST</sup> step in A
- K2 1<sup>ST</sup> step in B
- K3 1<sup>ST</sup> step in C
- K4 1<sup>ST</sup> step in D
- K5 1<sup>ST</sup> step in E
- K6 1<sup>ST</sup> step in F
- K7 1<sup>ST</sup> step in G
- K8 1<sup>ST</sup> step in H



- AC-110V
- AC-220V
- AC-380V
- AC-415V



Button-legend  
(custom-made on demand)