



Our duty is ensure your safety, so you can rely on an excellent device

APOLLO C2-6PB installation wiring diagram

F1 2A Power Fuse

F2 5A Main Fuse

K13 Main (stop)

K1 1ST step in A

K2 1ST step in B

K3 1ST step in C

K4 1ST step in D

K5 1ST step in E

K6 1ND step in F

K7 2ND step in A

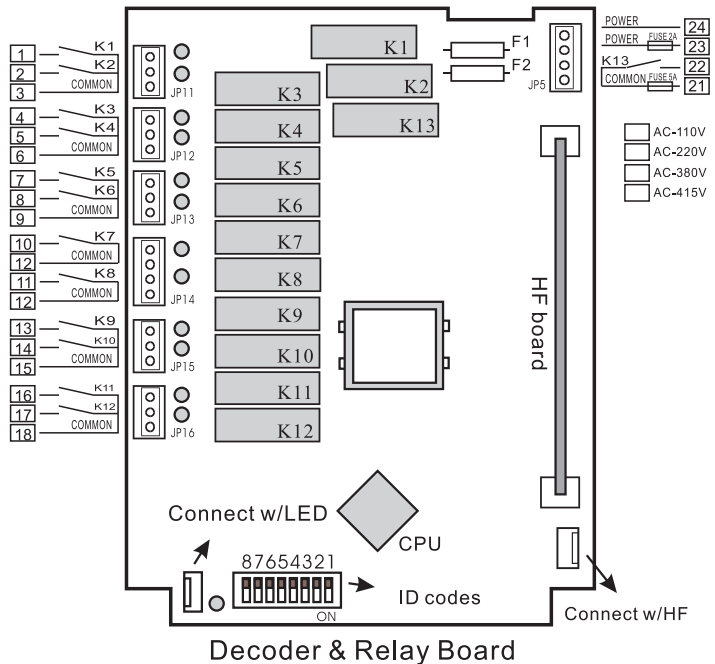
K8 2ND step in B

K9 2ND step in C

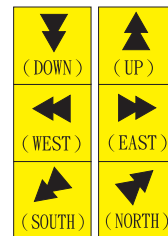
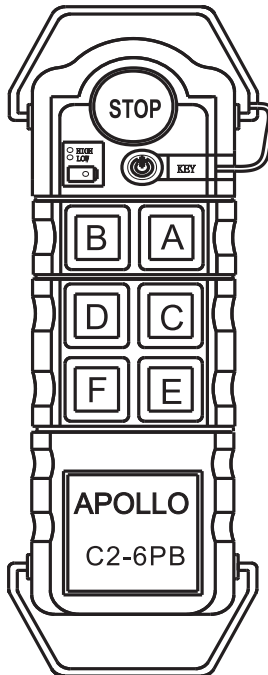
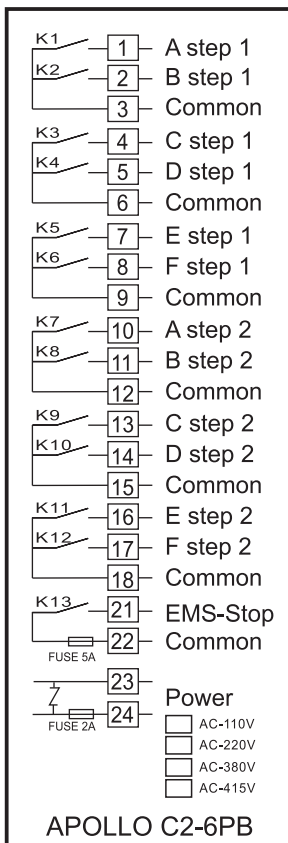
K10 2ND step in D

K11 2ND step in E

K12 2ND step in F



Decoder & Relay Board



Button-legend
(custom-made on demand)