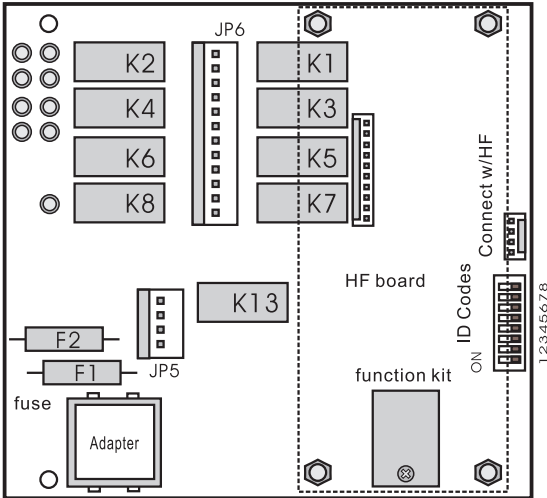




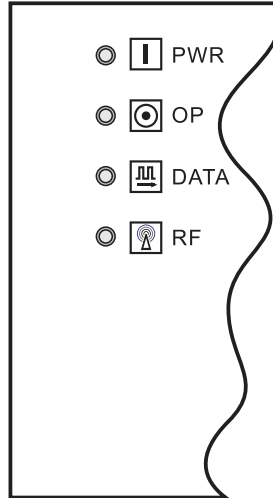
Our duty is ensure your safety, so you can rely on an excellent device

APOLLO C211 installation wiring diagram

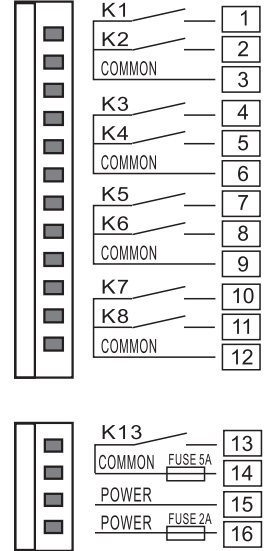
Decoder & Relay Board
(front side)



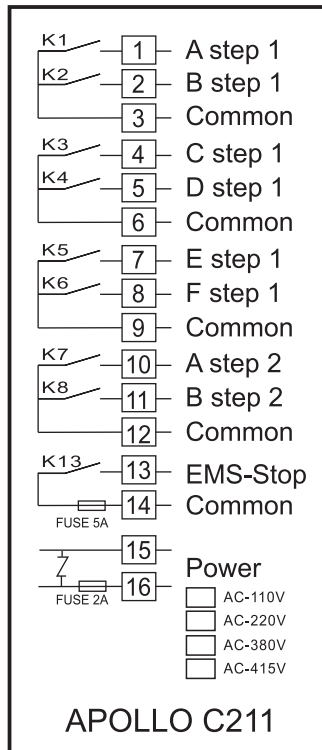
Indicator



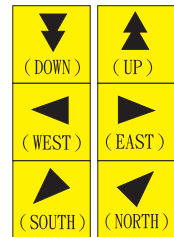
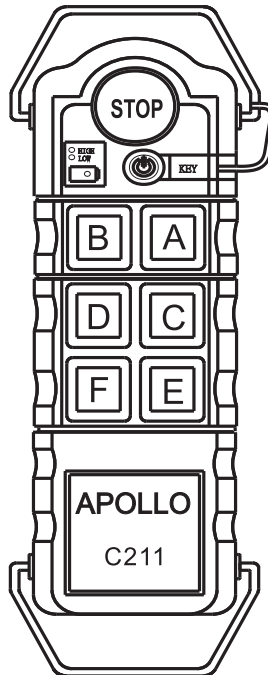
Wires Location in Decoder & Relay Board



- K13 Main (stop)
- F1 2A Power Fuse
- F2 5A Main Fuse
- K1 1ST step in A
- K2 1ST step in B
- K3 1ST step in C
- K4 1ST step in D
- K5 1ST step in E
- K6 1ST step in F
- K7 2ND step in A
- K8 2ND step in B



- AC-110V
- AC-220V
- AC-380V
- AC-415V



Button-legend
(custom-made on demand)