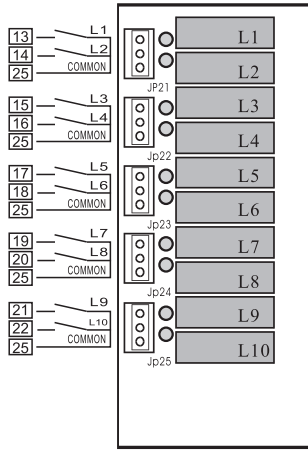


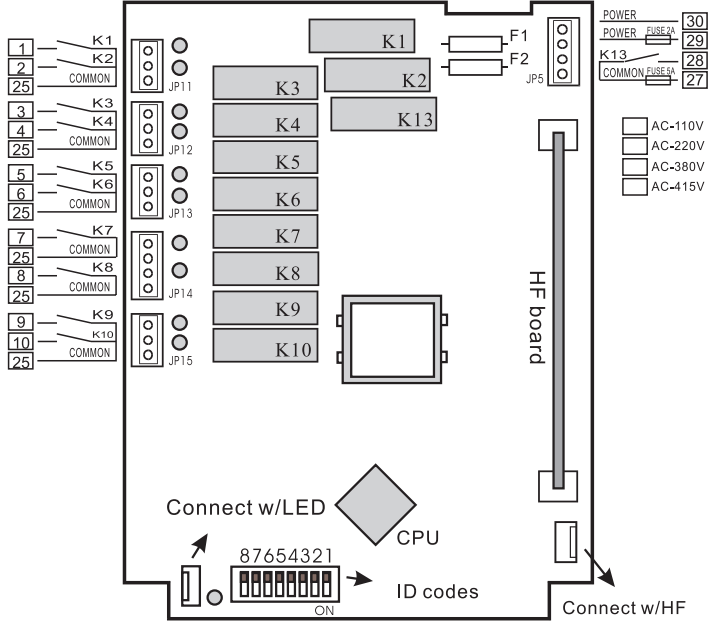


Our duty is ensure your safety, so you can rely on an excellent device

APOLLO C2-10PB installation wiring diagram



2nd step relay board



Decoder & Relay Board

F1 2A Power Fuse

F2 5A Main Fuse

K13 Main (stop)

K1 1ST step in A

K2 1ST step in B

K3 1ST step in C

K4 1ST step in D

K5 1ST step in E

K6 1ST step in F

K7 1ST step in G

K8 1ST step in H

K9 1ST step in I

K10 1ST step in J

L1 2ND step in A

L2 2ND step in B

L3 2ND step in C

L4 2ND step in D

L5 2ND step in E

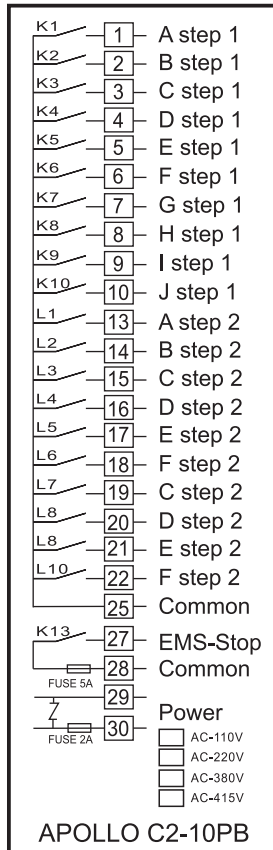
L6 2ND step in F

L7 2ND step in G

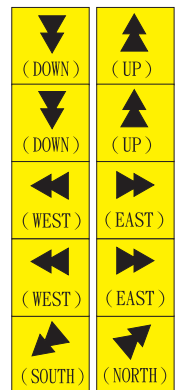
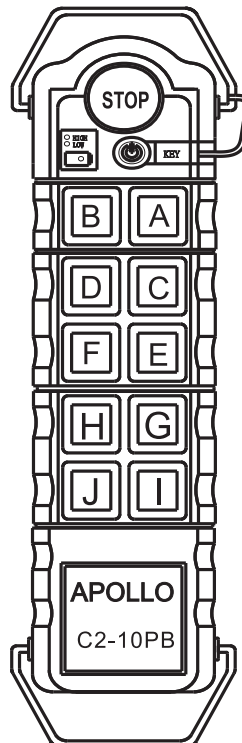
L8 2ND step in H

L9 2ND step in I

L10 2ND step in J



APOLLO C2-10PB



Button-legend
(custom-made on demand)