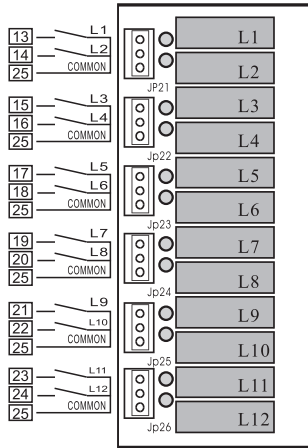


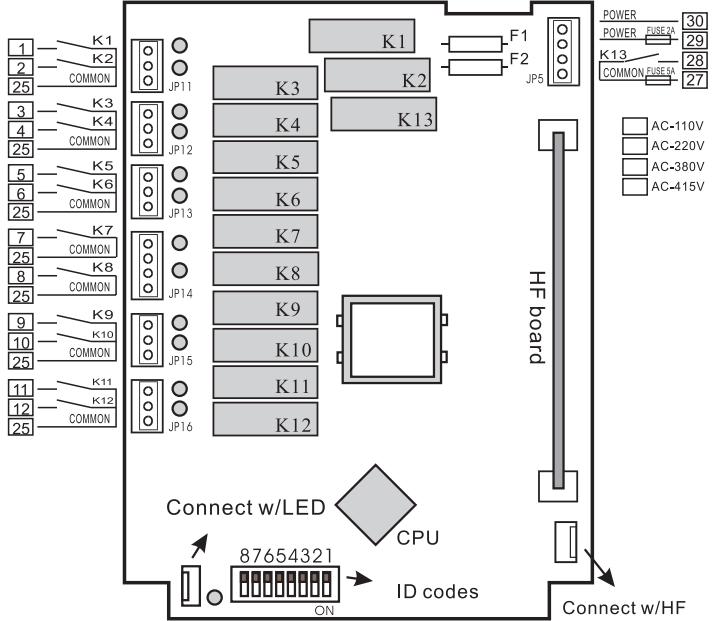


Our duty is ensure your safety, so you can rely on an excellent device

## APOLLO C2-12PB installation wiring diagram



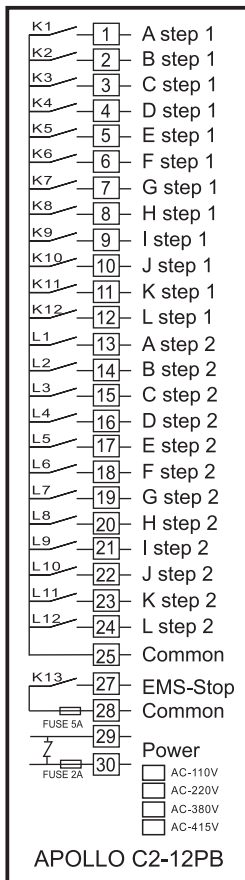
2nd step relay board



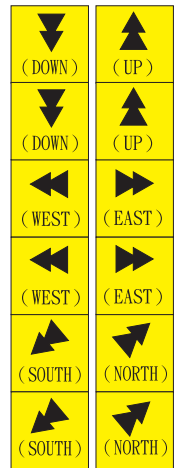
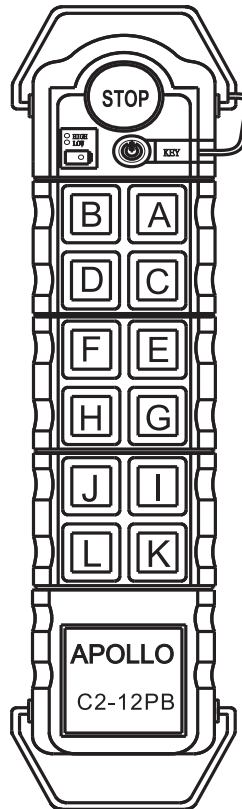
Decoder & Relay Board

F1 2A Power Fuse  
F2 5A Main Fuse

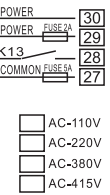
- K13 Main ( stop )
- K1 1<sup>ST</sup> step in A
- K2 1<sup>ST</sup> step in B
- K3 1<sup>ST</sup> step in C
- K4 1<sup>ST</sup> step in D
- K5 1<sup>ST</sup> step in E
- K6 1<sup>ST</sup> step in F
- K7 1<sup>ST</sup> step in G
- K8 1<sup>ST</sup> step in H
- K9 1<sup>ST</sup> step in I
- K10 1<sup>ST</sup> step in J
- K11 1<sup>ST</sup> step in K
- K12 1<sup>ST</sup> step in L
- L1 2<sup>ND</sup> step in A
- L2 2<sup>ND</sup> step in B
- L3 2<sup>ND</sup> step in C
- L4 2<sup>ND</sup> step in D
- L5 2<sup>ND</sup> step in E
- L6 2<sup>ND</sup> step in F
- L7 2<sup>ND</sup> step in G
- L8 2<sup>ND</sup> step in H
- L9 2<sup>ND</sup> step in I
- L10 2<sup>ND</sup> step in J
- L11 2<sup>ND</sup> step in K
- L12 2<sup>ND</sup> step in L



APOLLO C2-12PB



Button-legend  
(custom-made on demand)



AC-110V  
AC-220V  
AC-380V  
AC-415V

Button-legend  
(custom-made on demand)