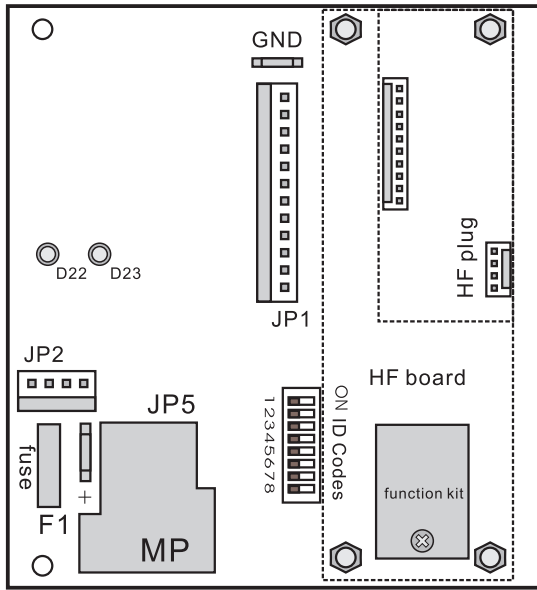
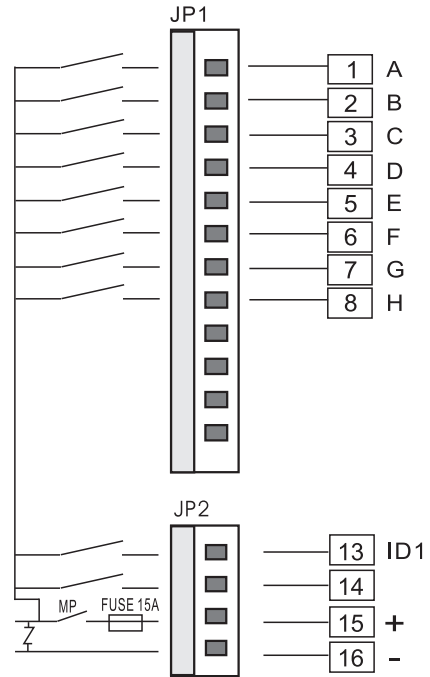


# APOLLO H1-8PB-MV Installation Wiring Diagram

Encoder Board



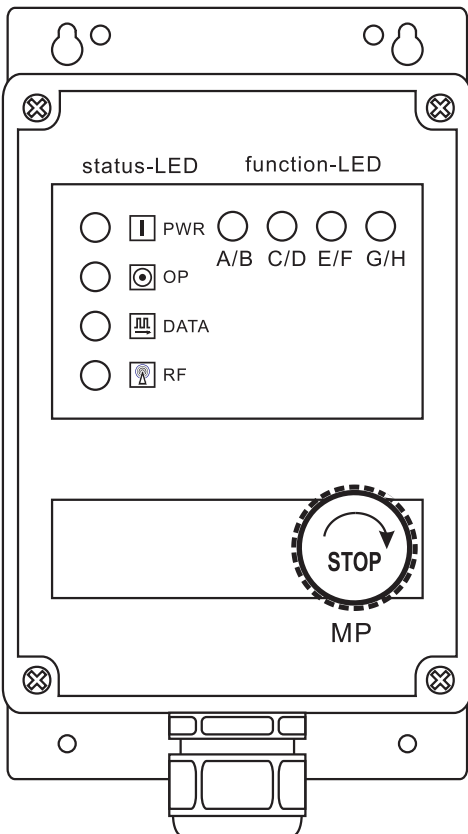
Internal wiring



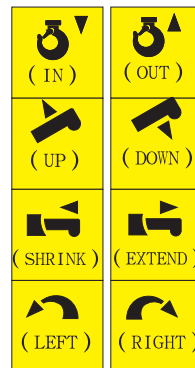
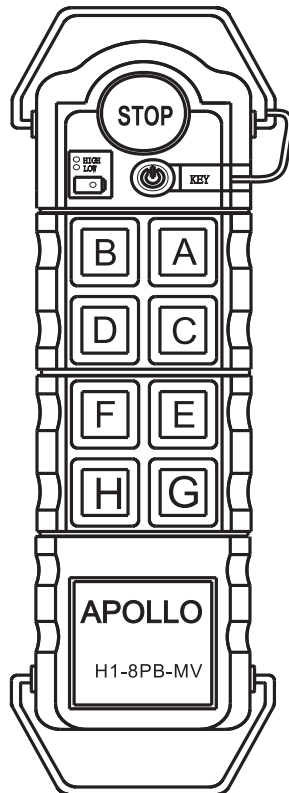
Features:

1. ID1 main relay is set for oil pump to be linked with each movement.
2. Furnished with control cable 2M long.
3. The printing illustration on the button can be custom made.
4. Each set of motion ( ex.K1/K2 ) is set with interlock ex-work.

Receiver



Transmitter



button legend  
( custom-made on demand )

