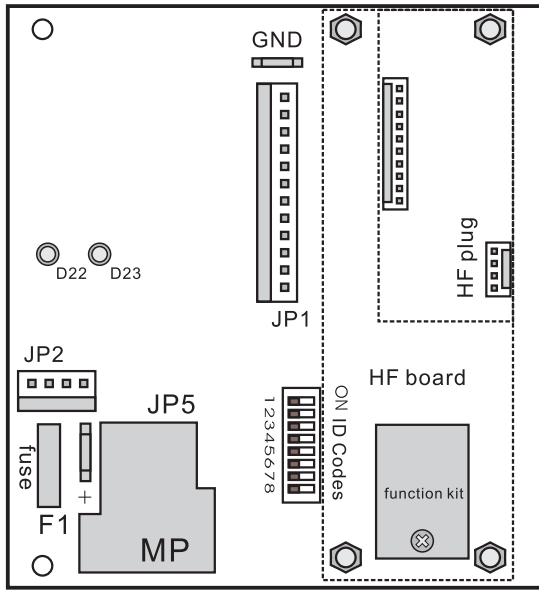
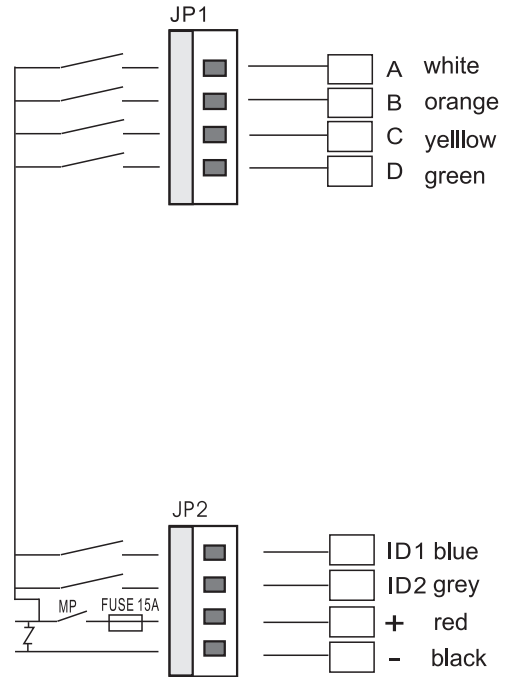


# APOLLO H2-4PB-MV Installation Wiring Diagram

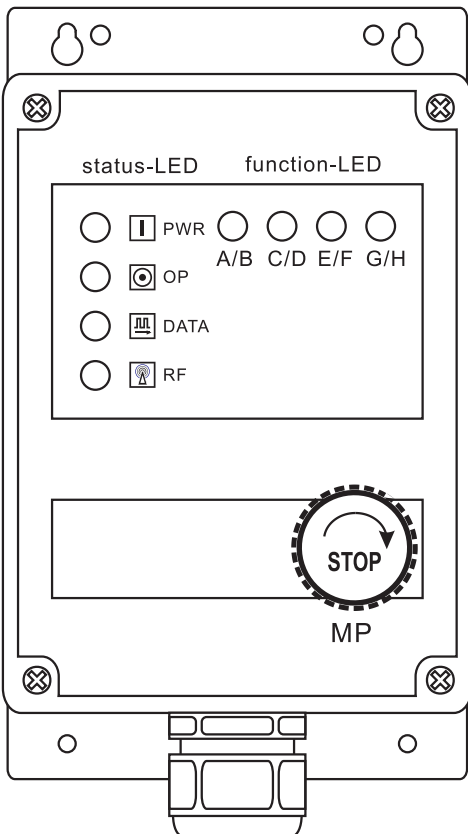
**Encoder Board**



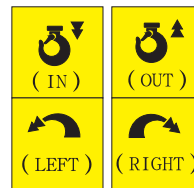
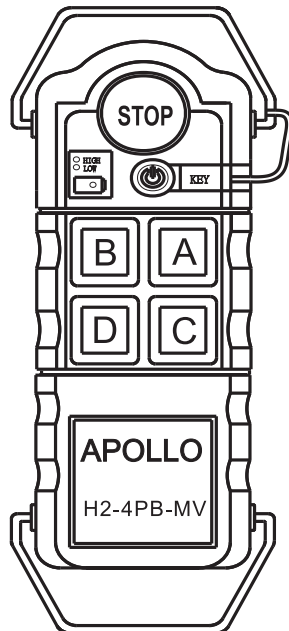
**Internal wiring**



**Receiver**



**Transmitter**



button legend  
(custom-made on demand)

