

K13 Main

F1 2A power fuse

F2 5A (Main)main fuse

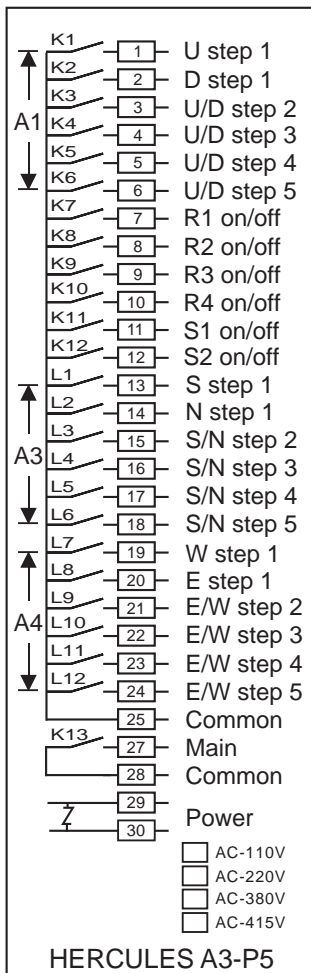
R1/R2/R3/R4 on/off

S1/S2 select switch on/off

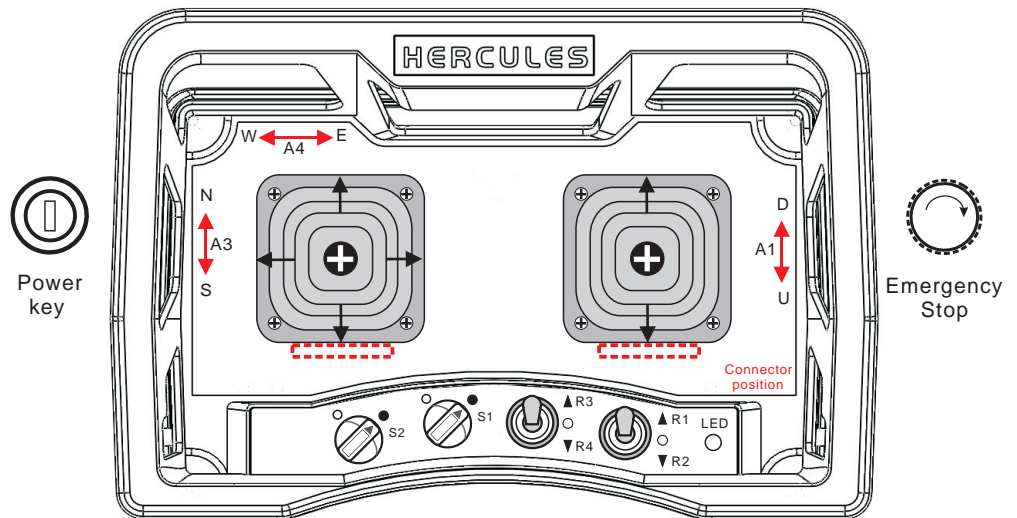
output contact table

contact	step	5	4	3	2	1	0	1	2	3	4	5
K1 (L1) (L7)								×	×	×	×	×
K2 (L2) (L8)		×	×	×	×	×						
K3 (L3) (L9)		×	×	×	×				×	×	×	×
K4 (L4) (L10)		×	×	×						×	×	×
K5 (L5) (L11)		×	×								×	×
K6 (L6) (L12)		×										×

Control wiring diagram



Transmitter layout



Power LED : GREEN means normal operation. When low power, RED will light, please change the batteries.