

K13 Main

F1 2A power fuse

F2 5A (Main)main fuse

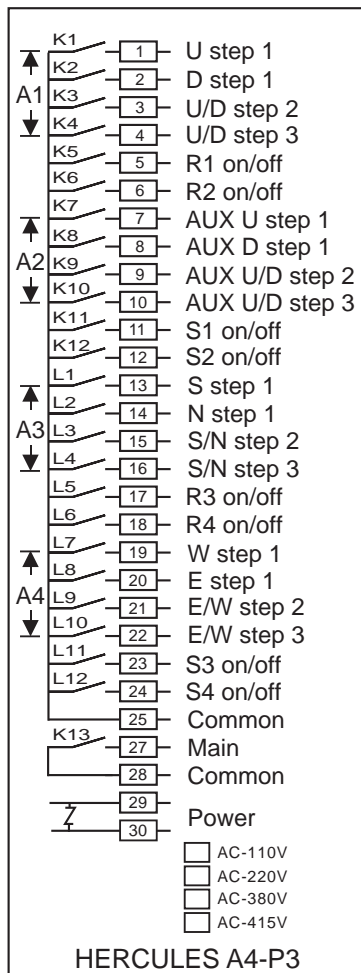
R1/R2/R3/R4 on/off

S1/S2 select switch on/off

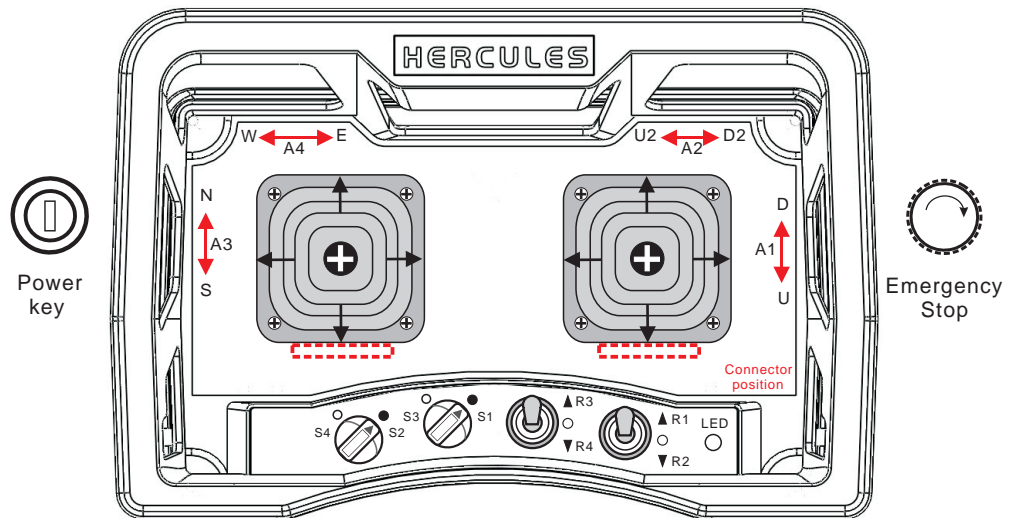
output contact table

contact \ step	3	2	1	0	1	2	3
K1 (K7) (L1) (L7)					×	×	×
K2 (K8) (L2) (L8)	×	×	×				
K3 (K9) (L3) (L9)	×	×				×	×
K4 (K10)(L4)(L10)	×						×

Control wiring diagram



Transmitter layout



Power LED : GREEN means normal operation. When low power, RED will light, please change the batteries.