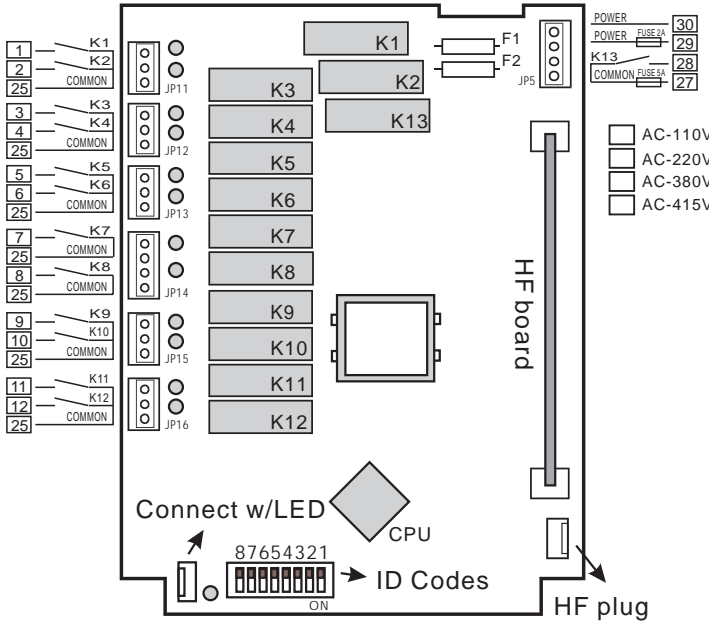
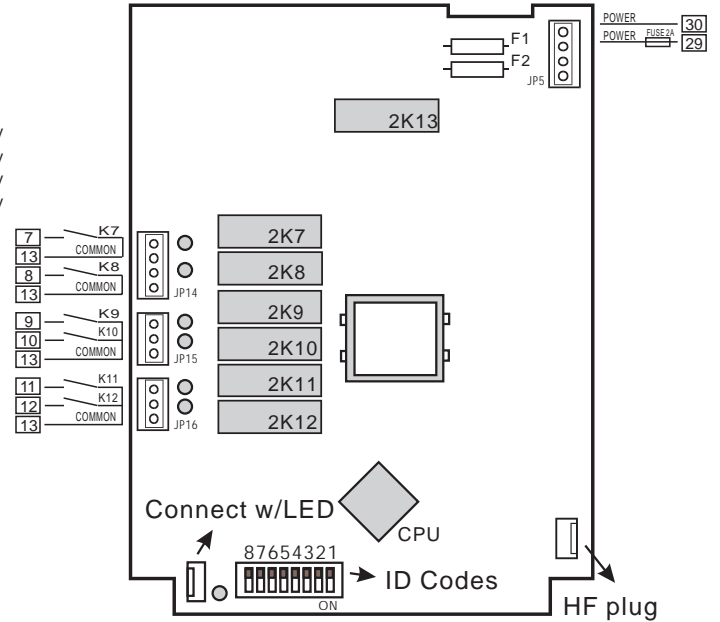


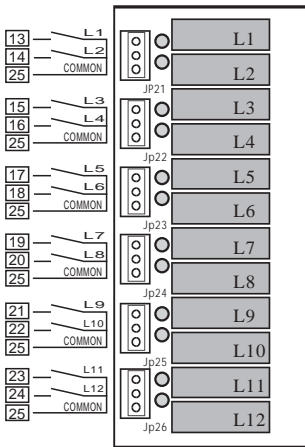
#Use Box3 (A) and Box3 (B) two receivers



(A)Decoder & relay board (REV:3.21)



(B)Decoder & relay board (REV:3.21)



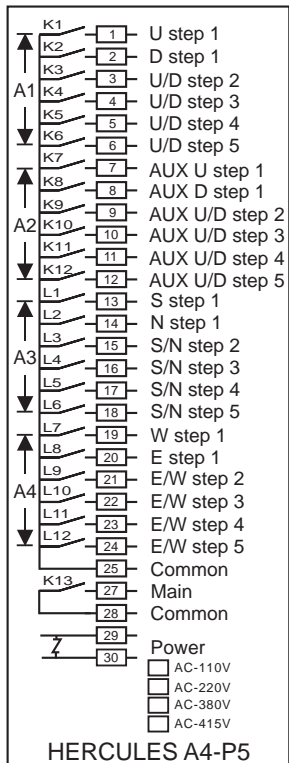
K13 Main
 F1 2A power fuse
 F2 5A (Main)main fuse
 R1/R2/R3/R4 on/off
 S1/S2 select switch on/off

(A)expanded relay board

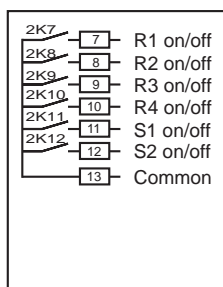
output contact table

contact	step	5	4	3	2	1	0	1	2	3	4	5
K1 (K7) (L1) (L7)								X	X	X	X	X
K2 (K8) (L2) (L8)		X	X	X	X	X						
K3 (K9) (L3) (L9)		X	X	X	X				X	X	X	X
K4 (K10)(L4)(L10)		X	X	X						X	X	X
K5 (K11)(L5)(L11)		X	X								X	X
K6 (K12)(L6)(L12)		X										X

Control wiring diagram

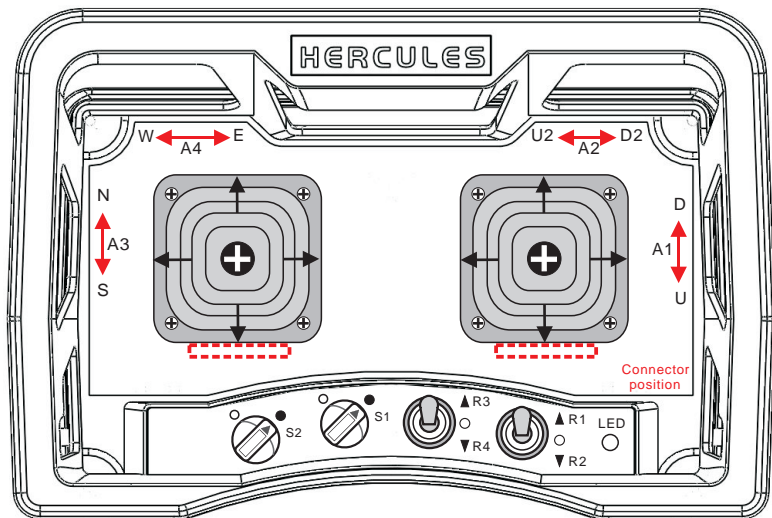


BOX.3 (A)



BOX.3 (B)

Transmitter layout



Power LED : GREEN means normal operation. When low power, RED will light, please change the batteries.