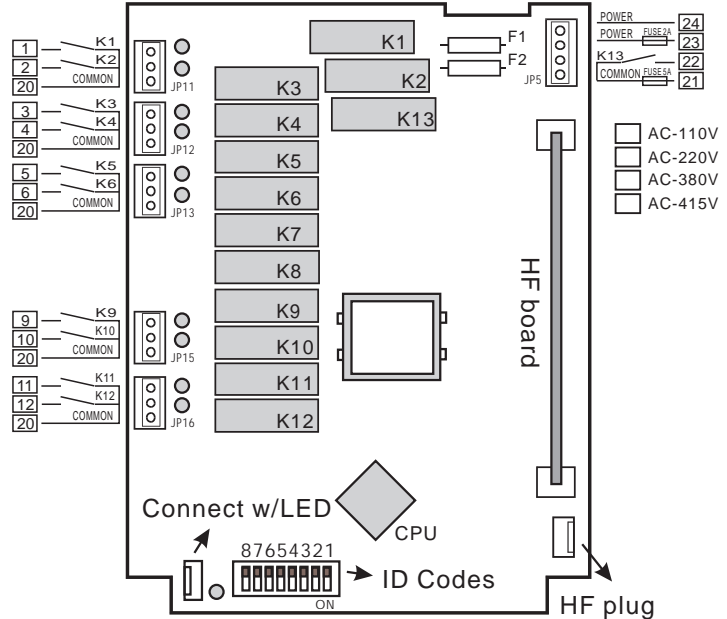
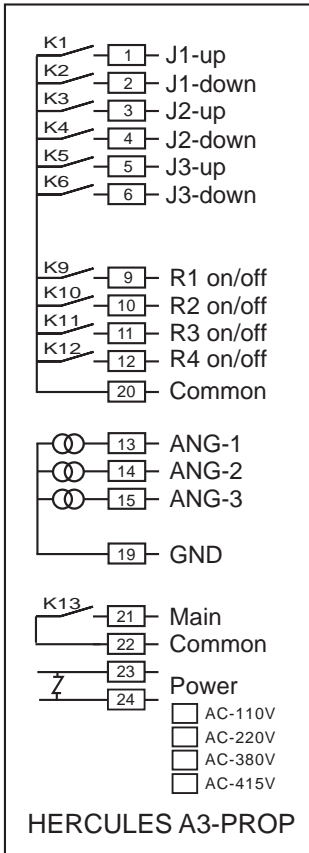


Inverter proportional voltage output board



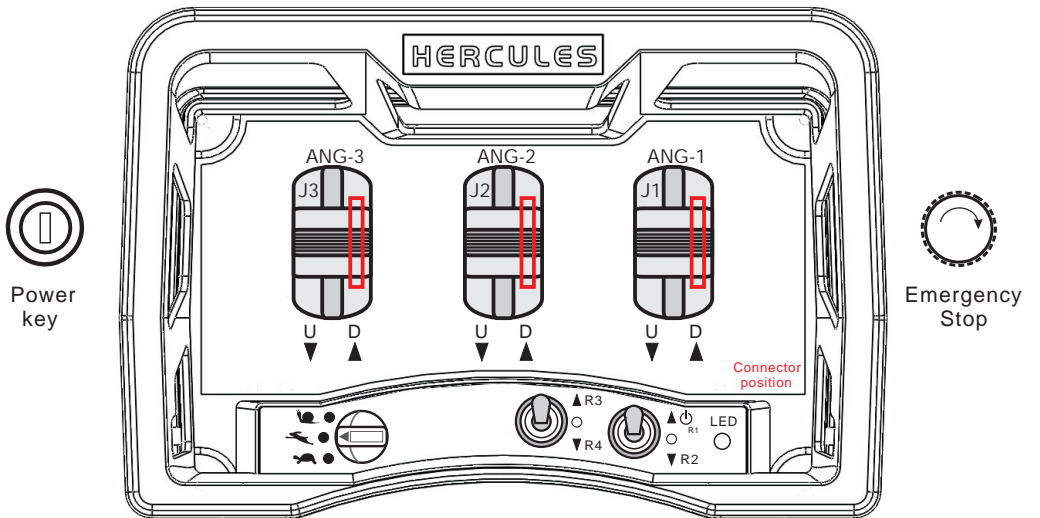
Decoder & relay board (REV:3.21)

Control wiring diagram



K13 Main
 F1 2A power fuse
 F2 5A (Main)main fuse
 R1/R2/R3/R4 on/off

Transmitter layout



Power LED : GREEN means normal operation. When low power, RED will light, please change the batteries.