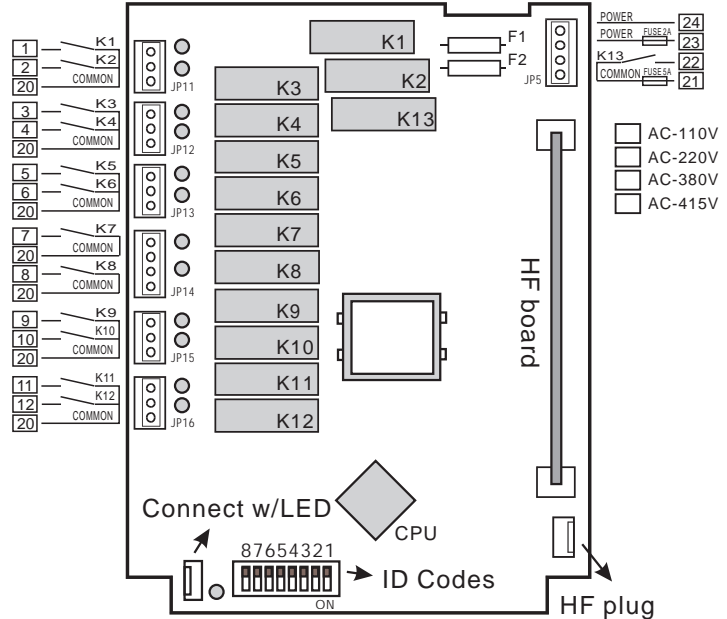


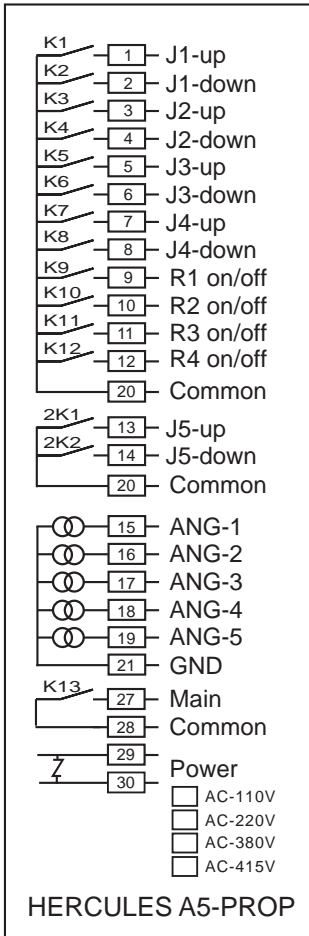
Inverter proportional voltage output board



Decoder & relay board (REV:3.21)

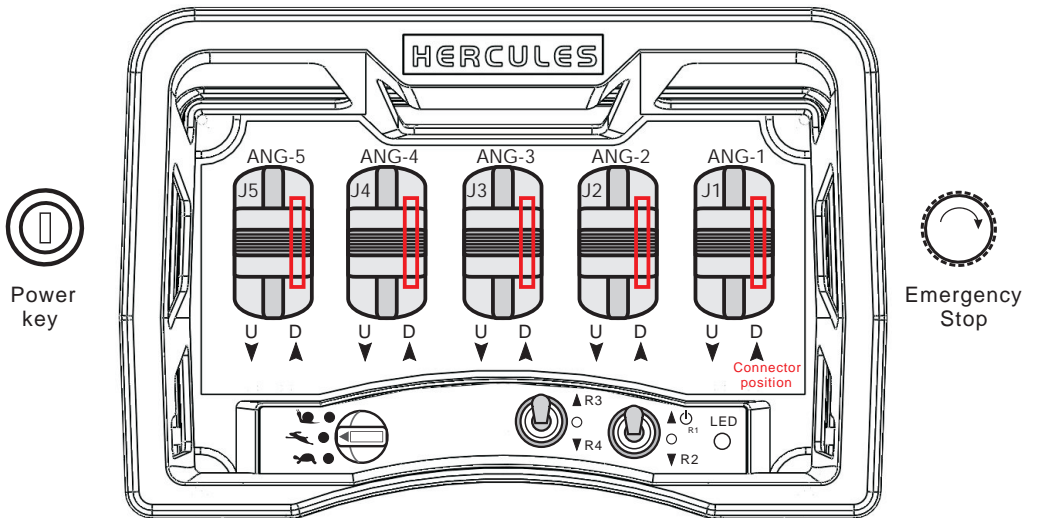
- AC-110V
- AC-220V
- AC-380V
- AC-415V

Control wiring diagram



- K13 Main
- F1 2A power fuse
- F2 5A (Main)main fuse
- R1/R2/R3/R4 on/off

Transmitter layout



Power LED : GREEN means normal operation. When low power, RED will light, please change the batteries.