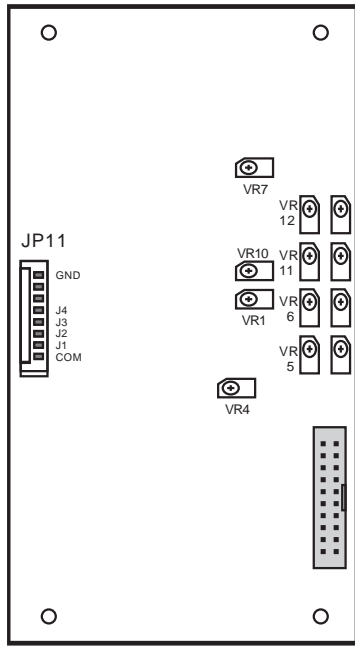


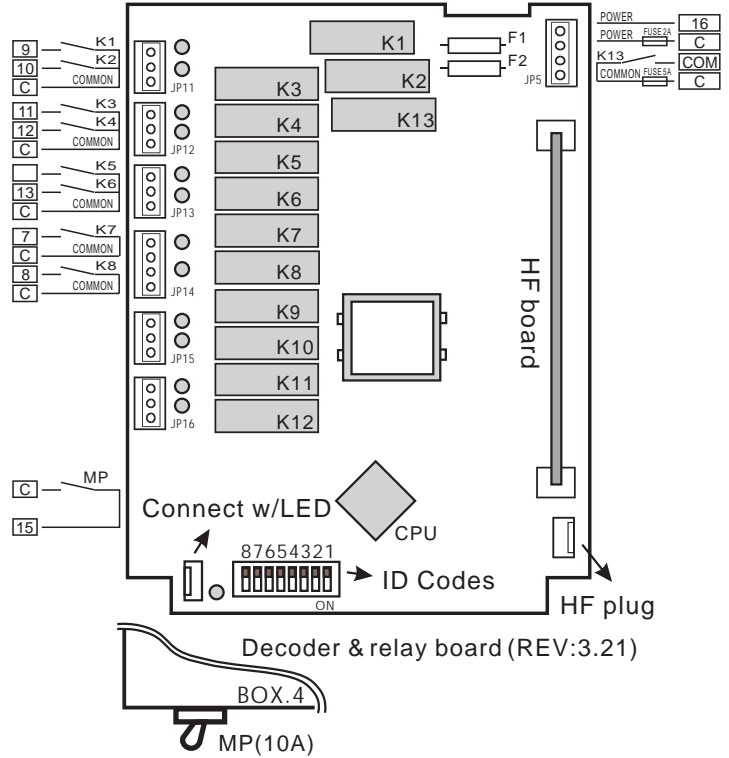
(to coordinate with Danfoss valve)

16P instant connector plug

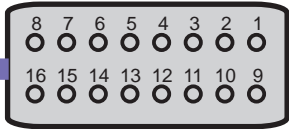
1.	J1	9.	R1
2.	J2	10.	R2
3.	J3	11.	R3
4.	J4	12.	R4
5.		13.	ID
6.		14.	COM
7.	AUX.1	15.	DC-24V (+)
8.	AUX.2	16.	DC-24V (-)



Danfoss Inverter Proportional voltage output board

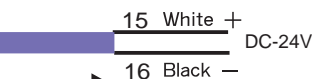
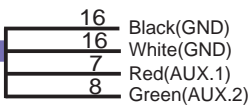
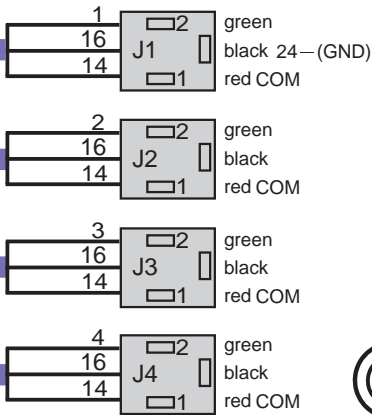


16P instant connector plug



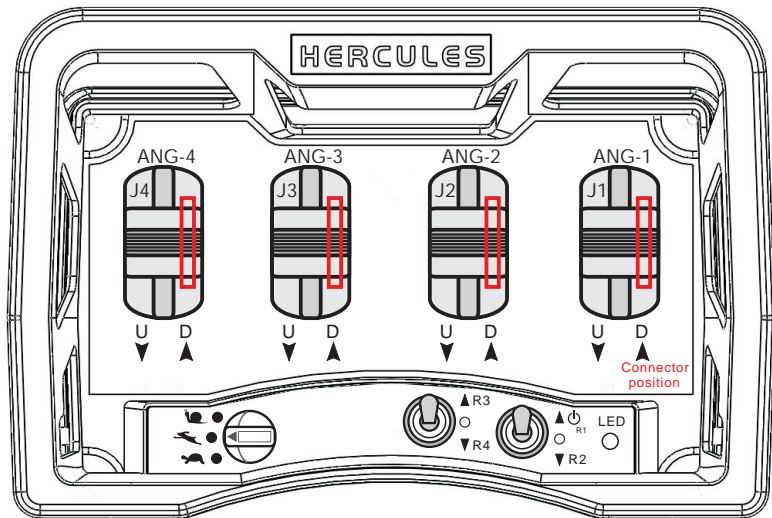
K13 Main
 F1 2A power fuse
 F2 5A (Main)main fuse
 R1/R2/R3/R4 on/off

valve connector



control cable 2M length 0.5mmx4

Transmitter layout



Power LED : GREEN means normal operation. When low power, RED will light, please change the batteries.