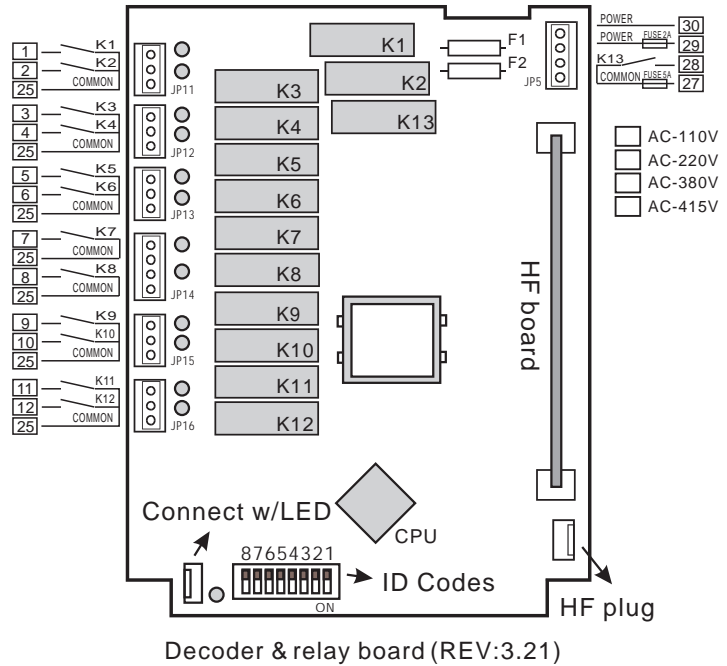
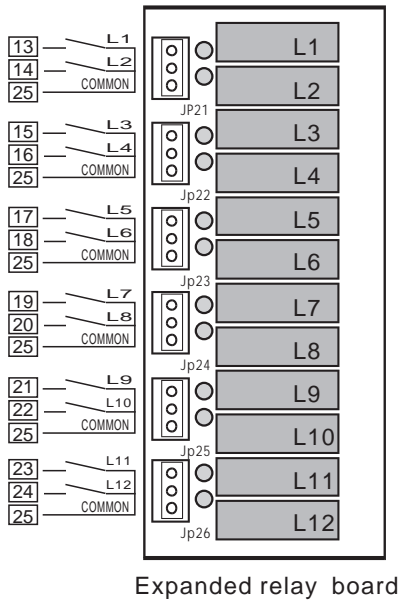


HERCULES L3-P5 WIRING DIAGRAM



K13 Main

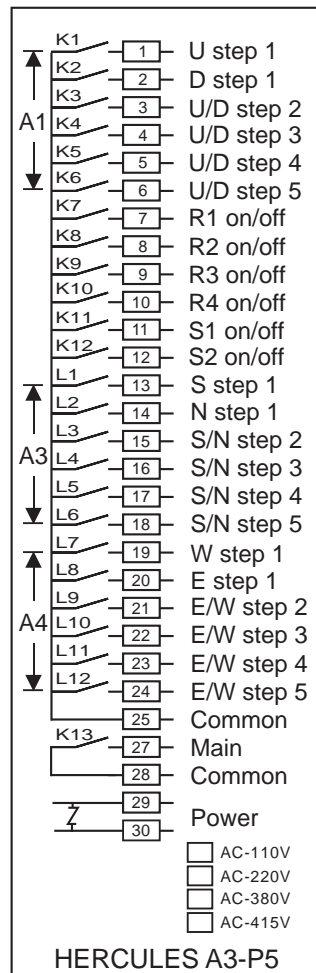
F1 2A power fuse

F2 5A (Main)main fuse

R1/R2/R3/R4 on/off

S1/S2 select switch on/off

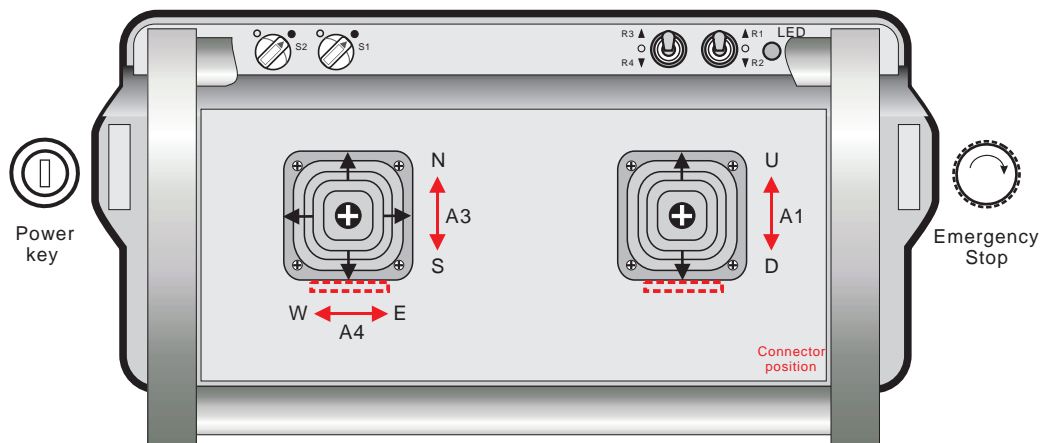
Control wiring diagram



output contact table

| contact \ step | 5 | 4 | 3 | 2 | 1 | 0 | 1 | 2 | 3 | 4 | 5 |
|----------------|---|---|---|---|---|---|---|---|---|---|---|
| K1 (L1) (L7) | | | | | | | × | × | × | × | × |
| K2 (L2) (L8) | × | × | × | × | × | | | | | | |
| K3 (L3) (L9) | × | × | × | × | | | | × | × | × | × |
| K4 (L4) (L10) | × | × | × | | | | | | × | × | × |
| K5 (L5) (L11) | × | × | | | | | | | | × | × |
| K6 (L6) (L12) | × | | | | | | | | | | × |

HERCULES Transmitter layout



Power LED : GREEN means normal operation. When low power, RED will light, please change the batteries.

