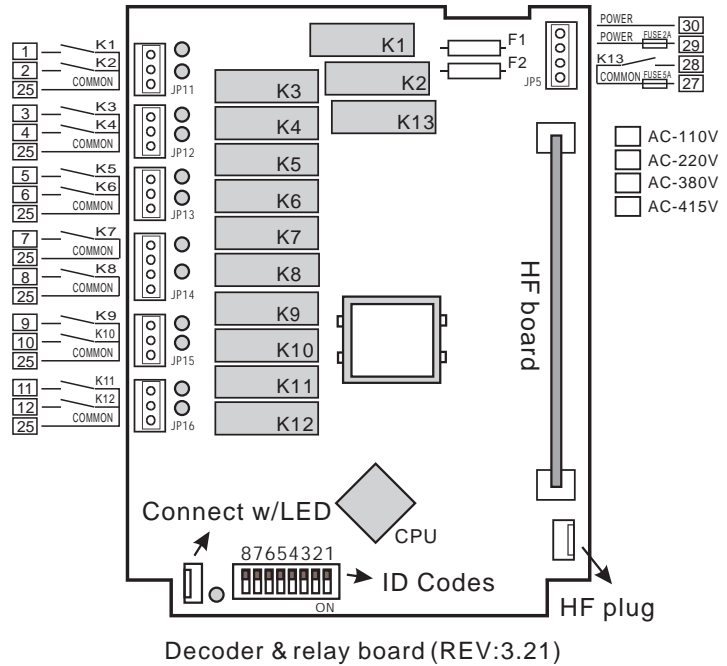
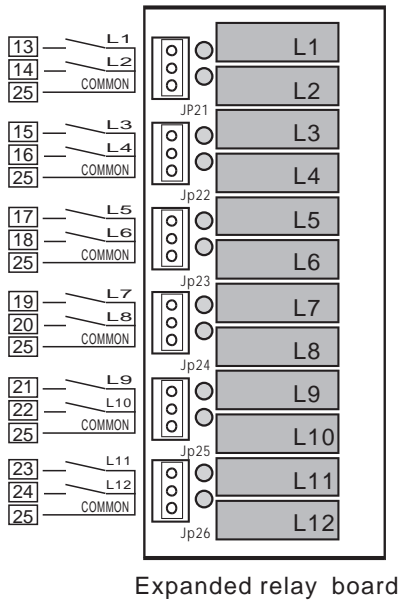


# HERCULES L4-P3 WIRING DIAGRAM



K13 Main

F1 2A power fuse

F2 5A (Main)main fuse

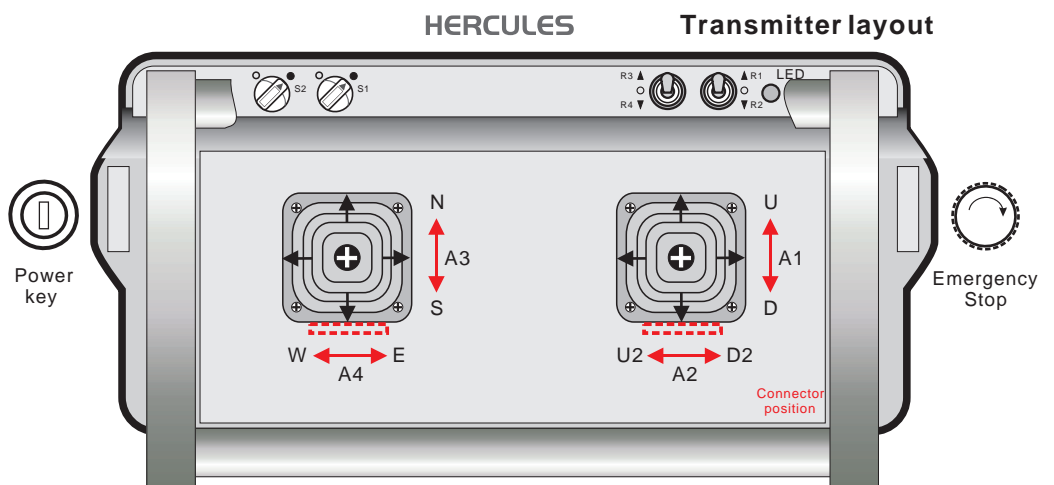
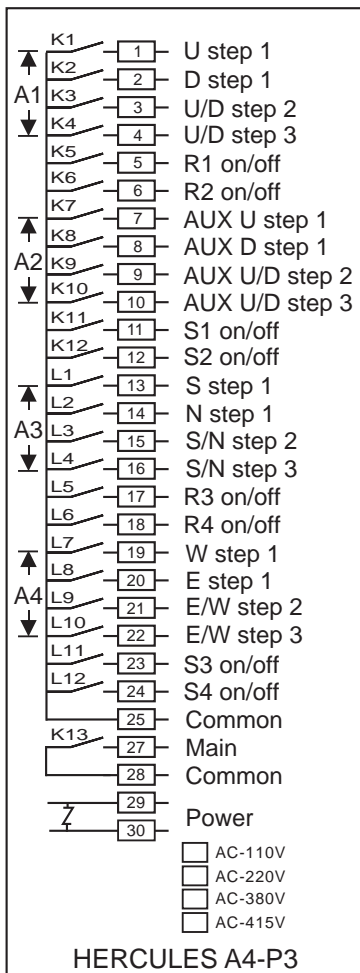
R1/R2/R3/R4 on/off

S1/S2 select switch on/off

output contact table

| contact \ step    | 3 | 2 | 1 | 0 | 1 | 2 | 3 |
|-------------------|---|---|---|---|---|---|---|
| K1 (K7) (L1) (L7) |   |   |   |   | × | × | × |
| K2 (K8) (L2) (L8) | × | × | × |   |   |   |   |
| K3 (K9) (L3) (L9) | × | × |   |   |   | × | × |
| K4 (K10)(L4)(L10) | × |   |   |   |   |   | × |

## Control wiring diagram



Power LED : GREEN means normal operation. When low power, RED will light, please change the batteries.

