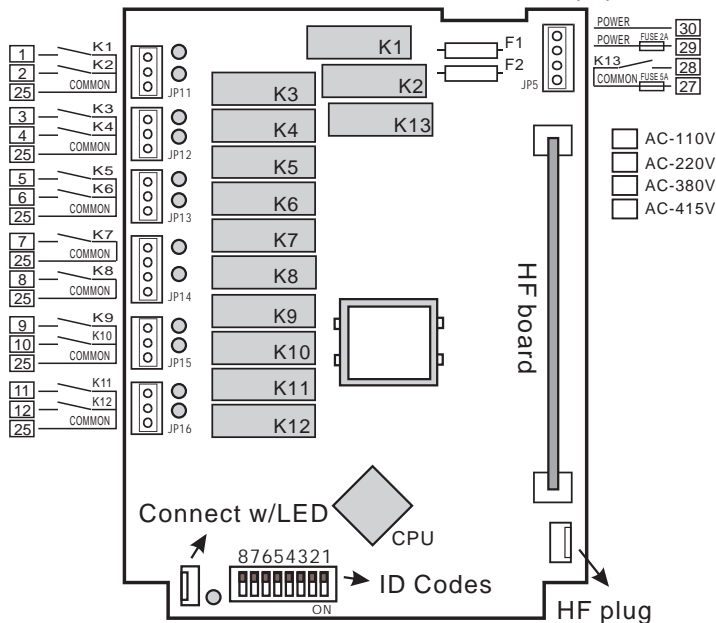
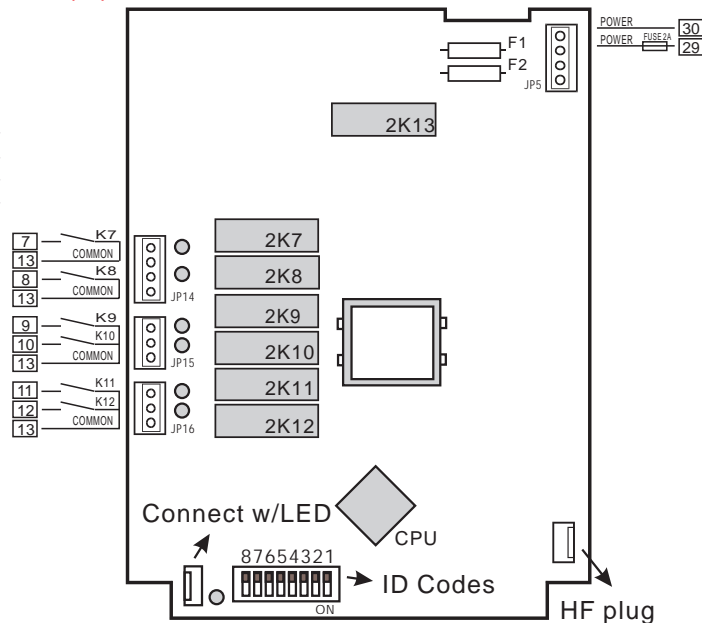


HERCULES L4-P5 WIRING DIAGRAM

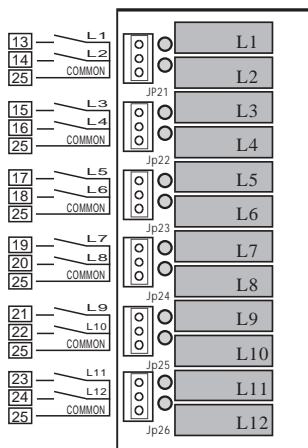
#Use Box3 (A) and Box3 (B) two receivers



(A)Decoder & relay board (REV:3.21)



(B)Decoder & relay board (REV:3.21)



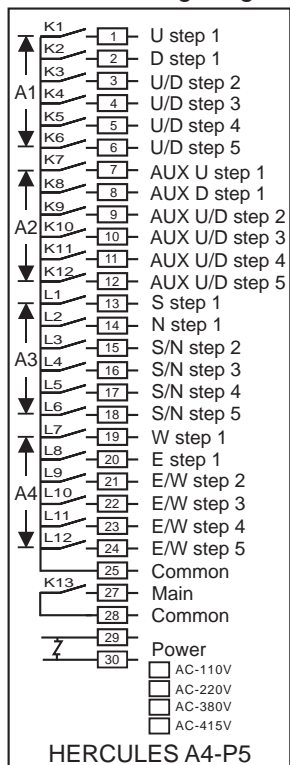
(A)expanded relay board

K13 Main
F1 2A power fuse
F2 5A (Main)main fuse
R1/R2/R3/R4 on/off
S1/S2 select switch on/off

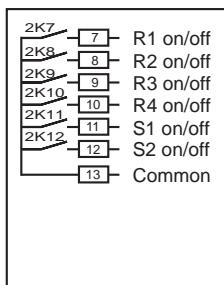
output contact table

contact \ step	5	4	3	2	1	0	1	2	3	4	5
K1 (K7) (L1) (L7)							×	×	×	×	×
K2 (K8) (L2) (L8)	×	×	×	×	×						
K3 (K9) (L3) (L9)	×	×	×	×				×	×	×	×
K4 (K10)(L4)(L10)	×	×	×						×	×	×
K5 (K11)(L5)(L11)	×	×								×	×
K6 (K12)(L6)(L12)	×										×

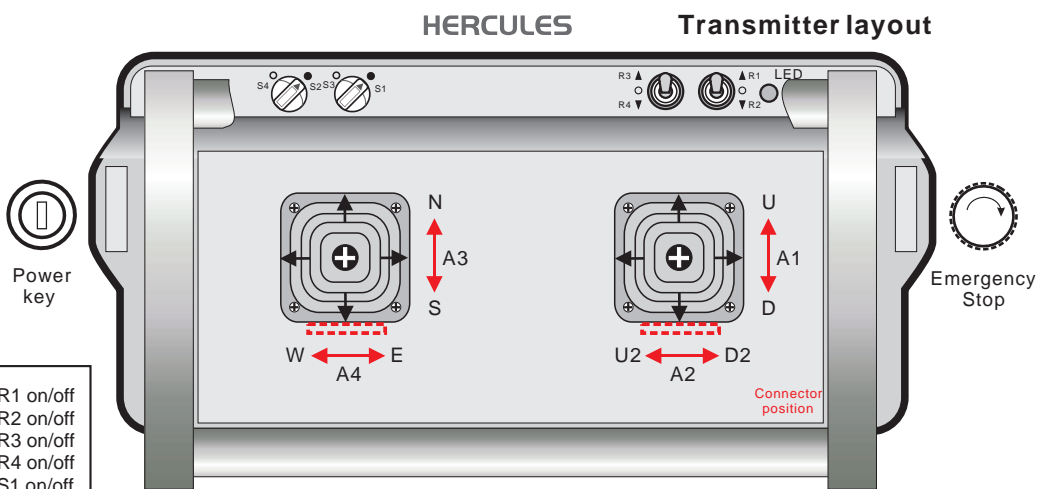
Control wiring diagram



BOX.3 (A)



BOX.3 (B)



Power LED : GREEN means normal operation. When low power, RED will light, please change the batteries.

