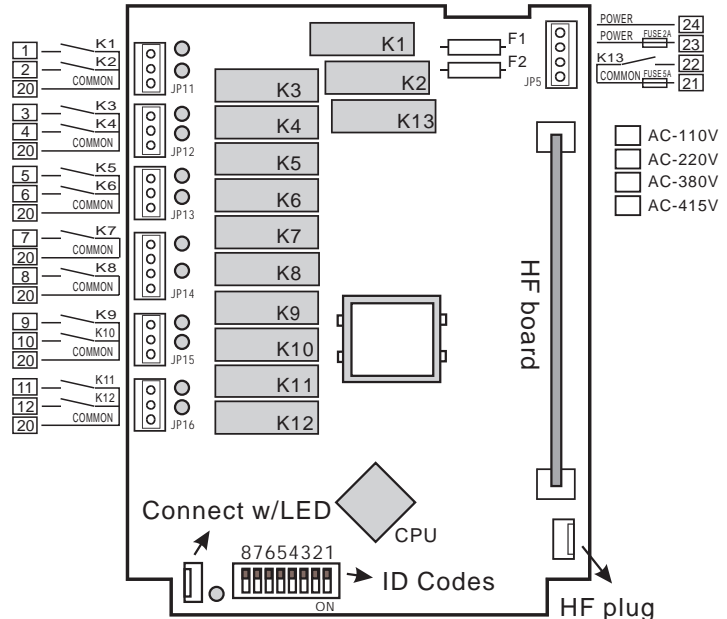
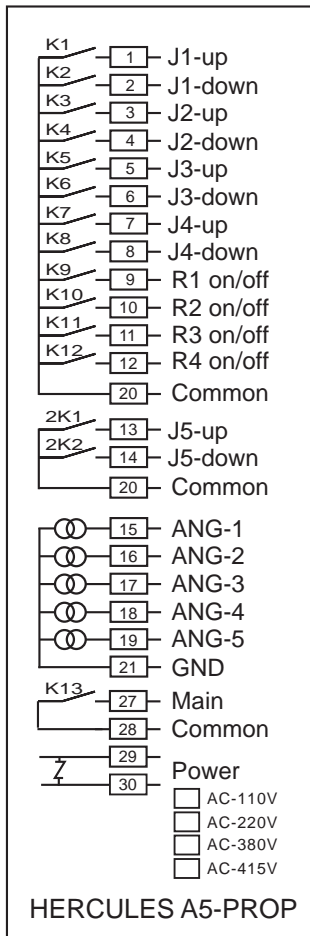


Inverter proportional voltage output board



Decoder & relay board (REV:3.21)

Control wiring diagram



K13 Main

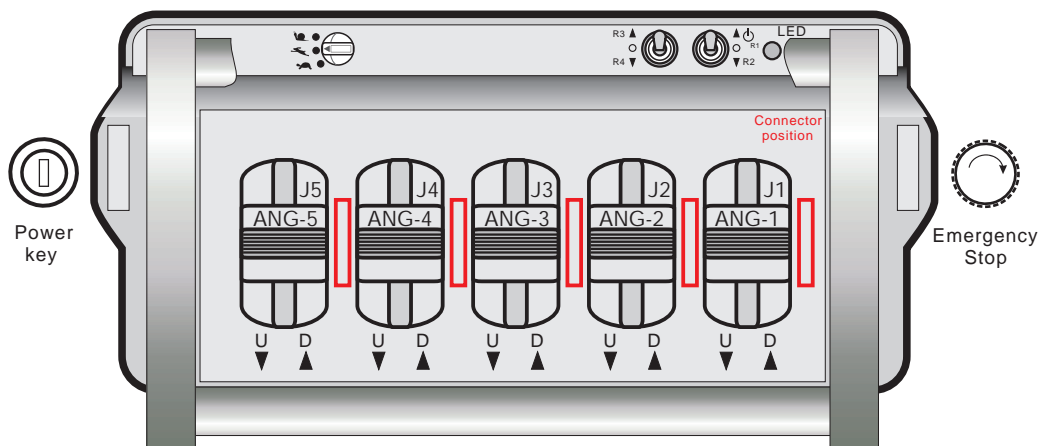
F1 2A power fuse

F2 5A (Main)main fuse

R1/R2/R3/R4 on/off

HERCULES

Transmitter layout



Power LED : GREEN means normal operation. When low power, RED will light, please change the batteries.