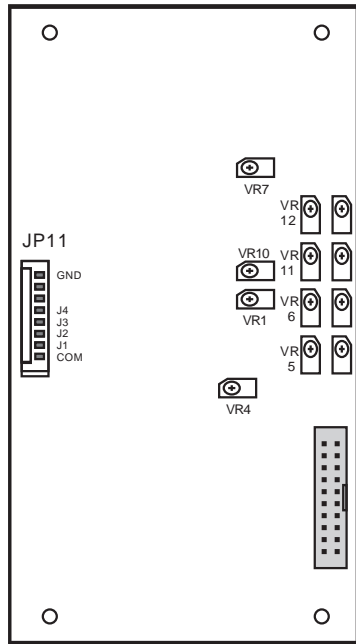


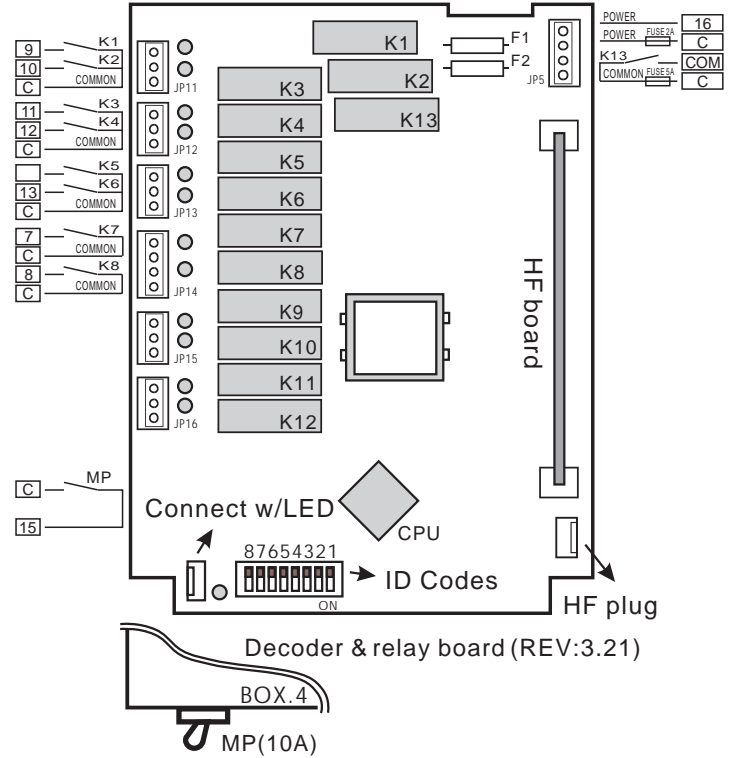
(to coordinate with Danfoss valve)

16P instant connector plug

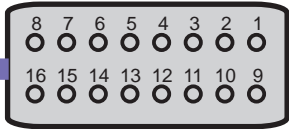
1.	J1	9.	R1
2.	J2	10.	R2
3.	J3	11.	R3
4.	J4	12.	R4
5.		13.	ID
6.		14.	COM
7.	AUX.1	15.	DC-24V (+)
8.	AUX.2	16.	DC-24V (-)



Danfoss Inverter Proportional voltage output board



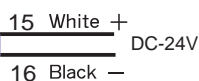
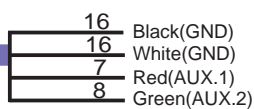
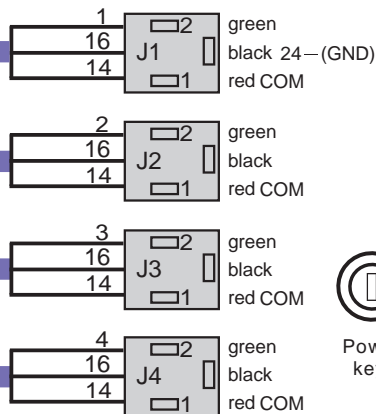
16P instant connector plug



K13 Main

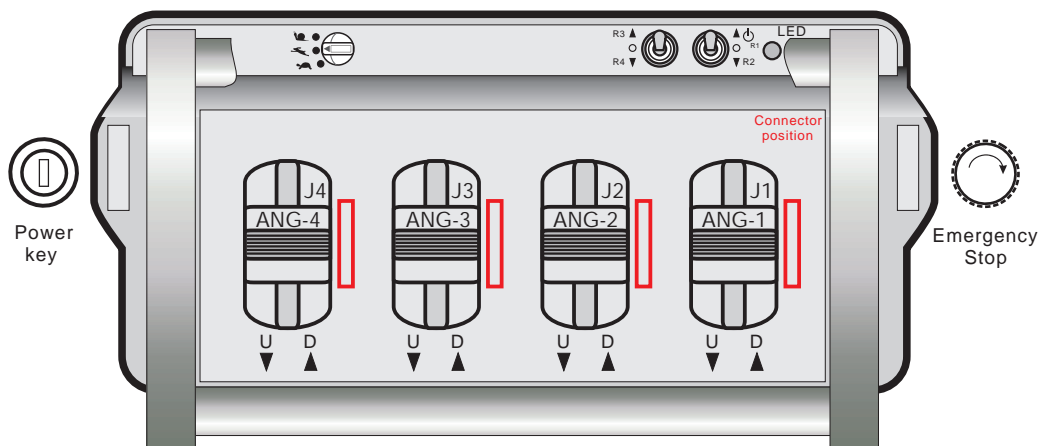
F1 2A power fuse
F2 5A (Main)main fuse
R1/R2/R3/R4 on/off

valve connector



control cable 2M length 0.5mmxmm x 4

HERCULES Transmitter layout



Power LED : GREEN means normal operation. When low power, RED will light, please change the batteries.