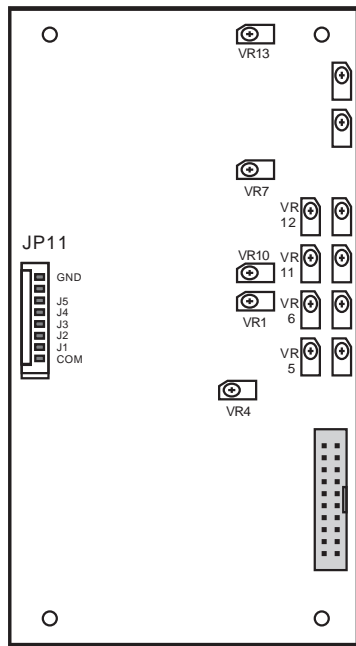


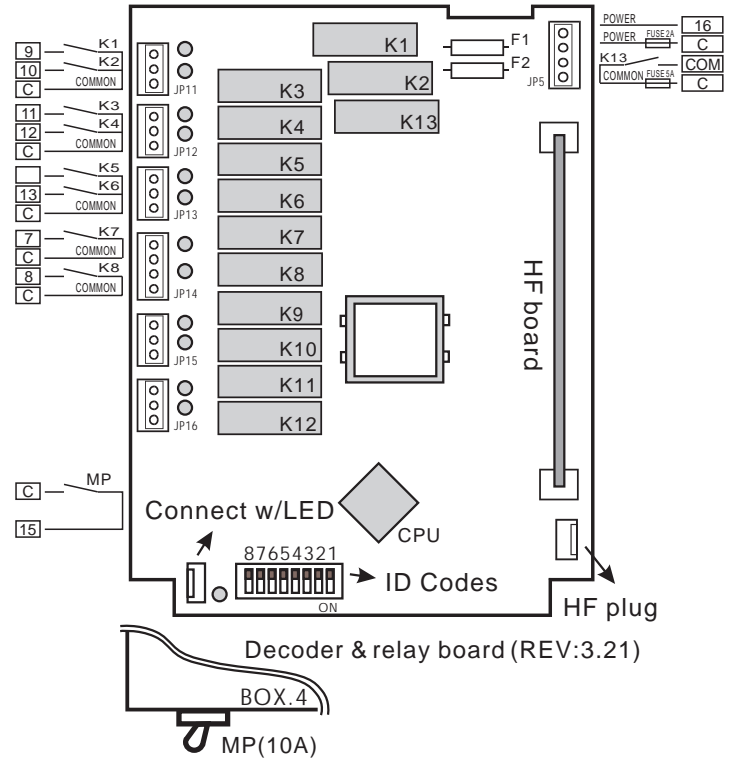
( to coordinate with Danfoss valve )

16P instant connector plug

|    |       |     |            |
|----|-------|-----|------------|
| 1. | J1    | 9.  | R1         |
| 2. | J2    | 10. | R2         |
| 3. | J3    | 11. | R3         |
| 4. | J4    | 12. | R4         |
| 5. | J5    | 13. | ID         |
| 6. |       | 14. | COM        |
| 7. | AUX.1 | 15. | DC-24V (+) |
| 8. | AUX.2 | 16. | DC-24V (-) |

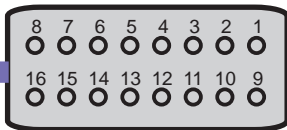


Danfoss Inverter Proportional voltage output board



Decoder & relay board (REV:3.21)

16P instant connector plug



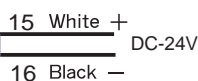
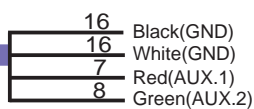
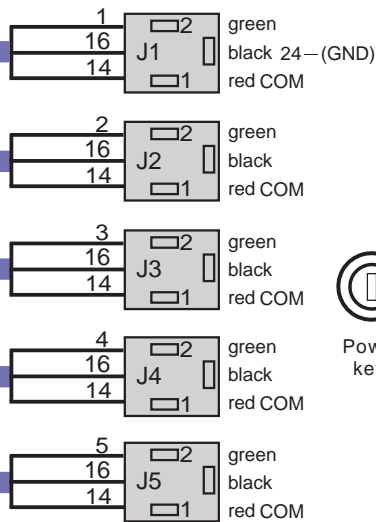
K13 Main

F1 2A power fuse

F2 5A (Main)main fuse

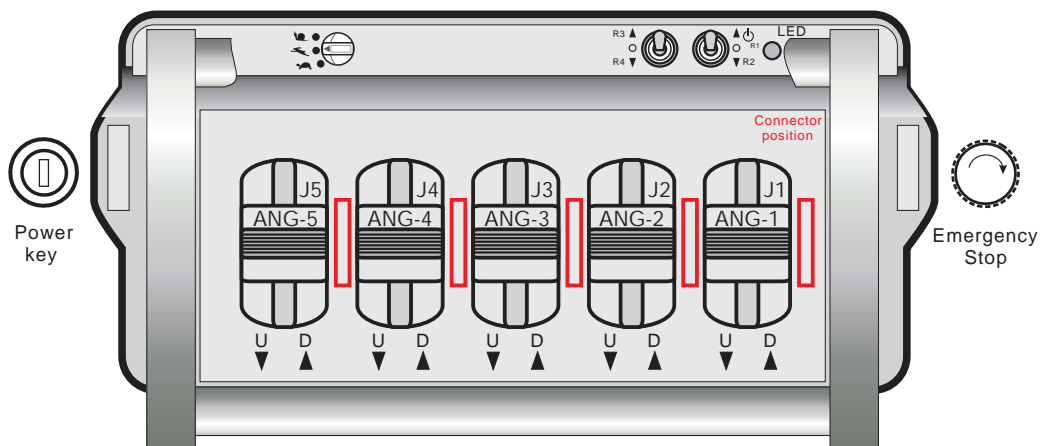
R1/R2/R3/R4 on/off

valve connector



control cable 2M length 0.5mmxmm x 4

HERCULES Transmitter layout



Power LED : GREEN means normal operation. When low power, RED will light, please change the batteries.