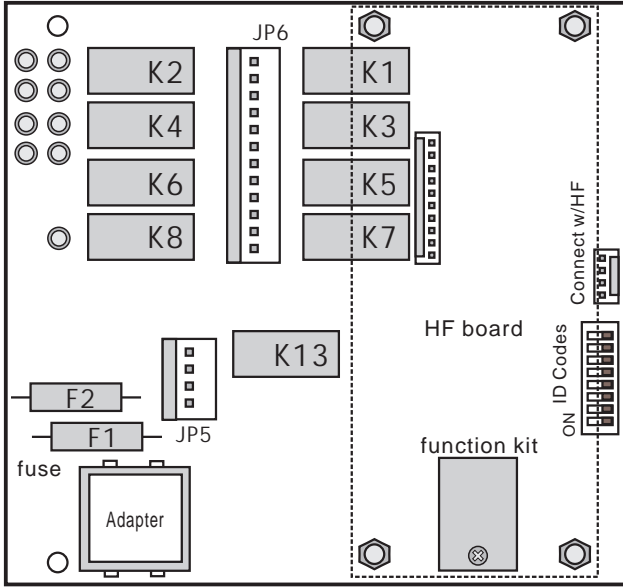


CUPI D Q100S

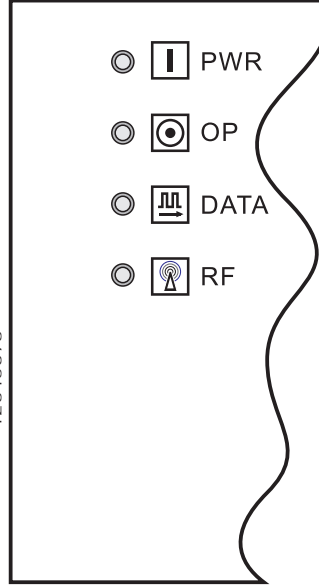
decoder & relay board (front side)



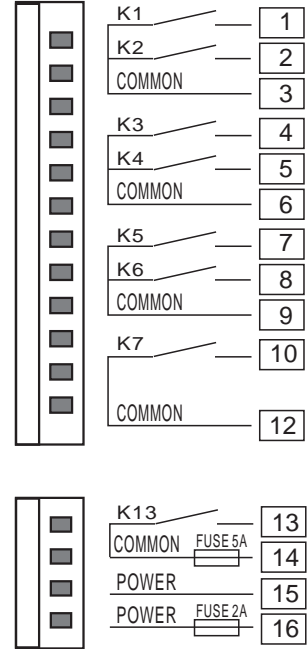
| | |
|-----|------|
| K13 | Main |
| K1 | A |
| K2 | B |
| K3 | C |
| K4 | D |
| K5 | E |
| K6 | F |
| K7 | G |

| | |
|----|---------------|
| F1 | 2A Power fuse |
| F2 | 5A Main fuse |

indicator panel



wires location



Transmitter

- AC-110V
- AC-220V
- AC-380V
- AC-415V

