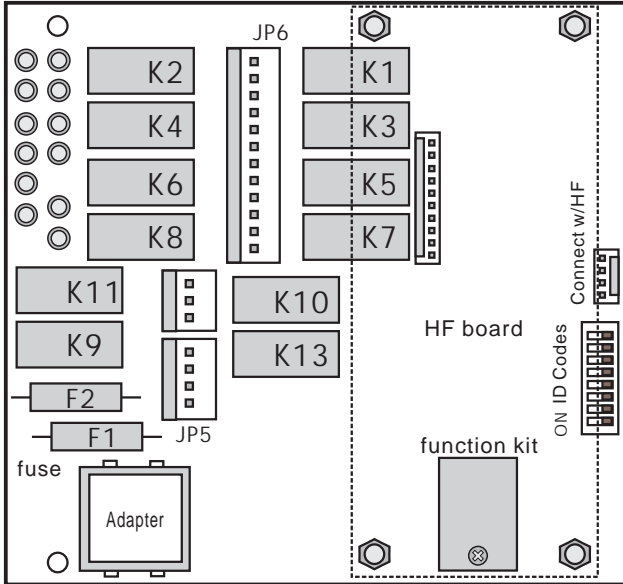
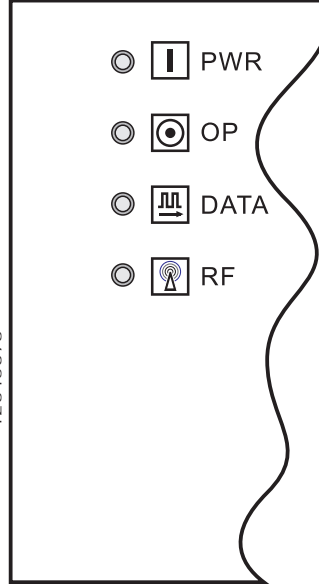


# CUPI D Q200AB

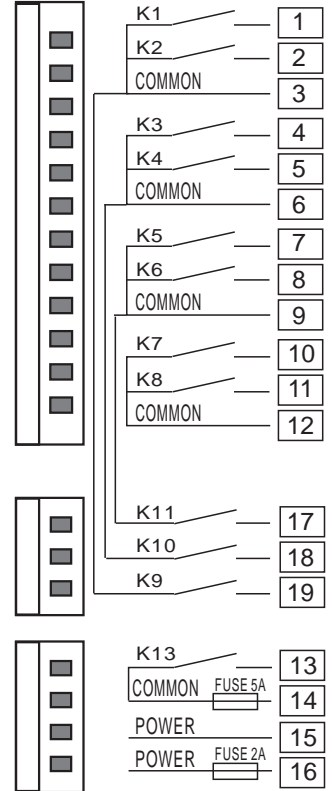
decoder & relay board ( front side )



indicator panel

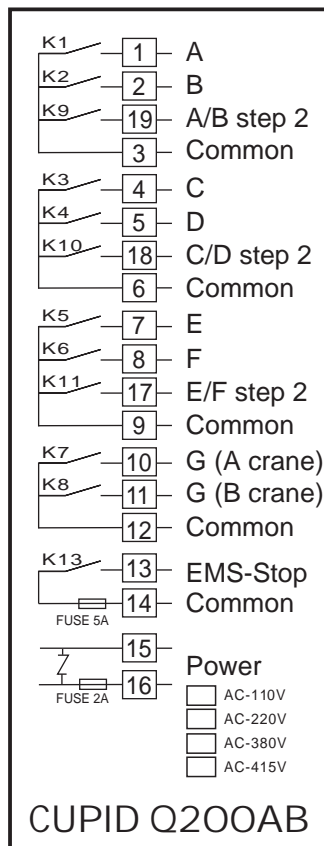


wires location

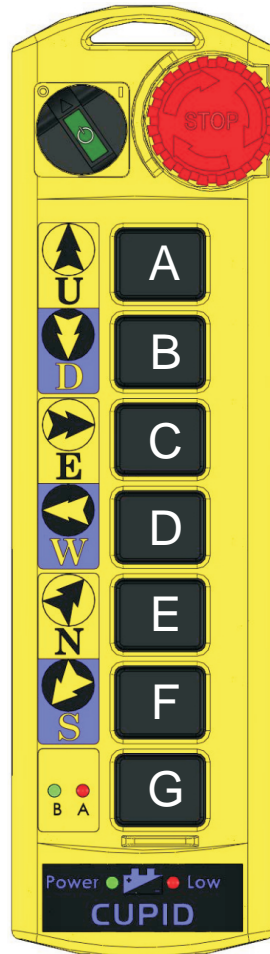


K13	Main
K1	A
K2	B
K3	C
K4	D
K5	E
K6	F
K7	G(A crane)
K8	G(B crane)
K9	A/B step 2
K10	C/D step 2
K11	E/F step 2

F1	2A Power fuse
F2	5A Main fuse



Transmitter



- AC-110V
- AC-220V
- AC-380V
- AC-415V

