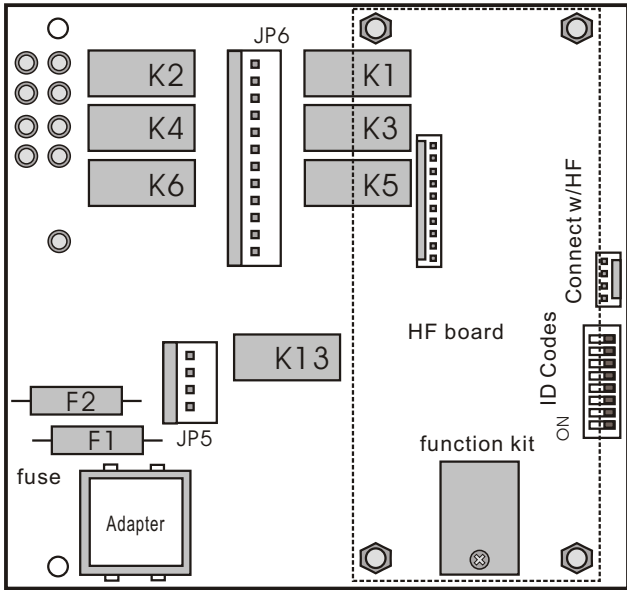


APOLLO mini 20C Installation Wiring Diagram

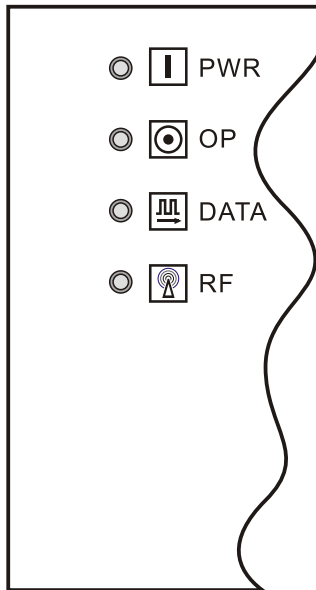
Decoder & Relay Board (front side)



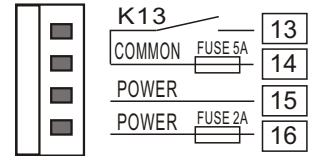
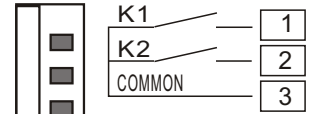
K13	Main
K1	A
K2	B

F1	2A Power Fuse
F2	5A Main Fuse

Indicator



Wires Location in Decoder & Relay Board

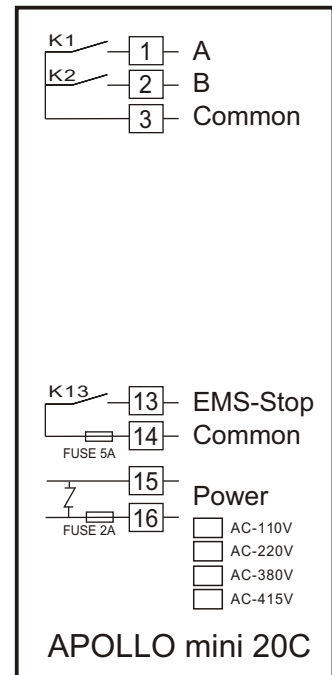
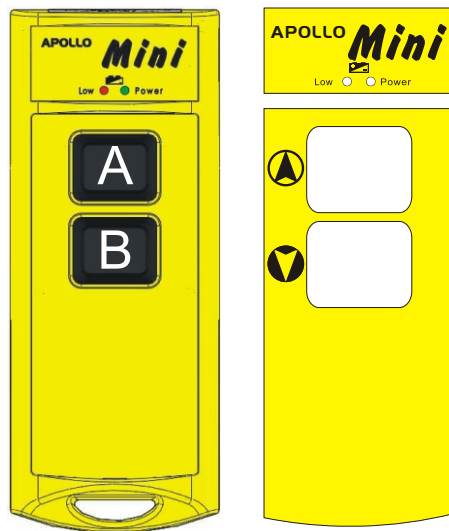


- AC-110V
- AC-220V
- AC-380V
- AC-415V

Receiver



Transmitter



APOLLO mini 20C